

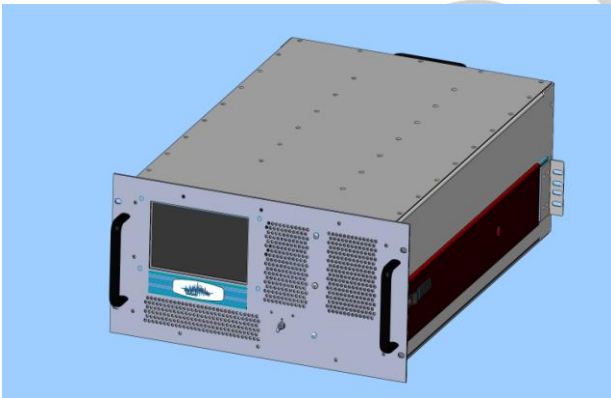


PTWA-2.5G7.5G-200

200W CW TWT Amplifier

Traveler Wave Tube (TWT) Power RF Amplifier

The PTWA-2.5G7.5G-200 is a TWT 200W (CW) Ruggedized RF Amplifier which covers frequency range from 2.5GHz to 7.5GHz. This amplifier can achieve high efficiency operation with proven reliability as is designed with the robust engineering and employment of the most advanced devices and components. The amplifier comes with 2 years warranty including the TWT.



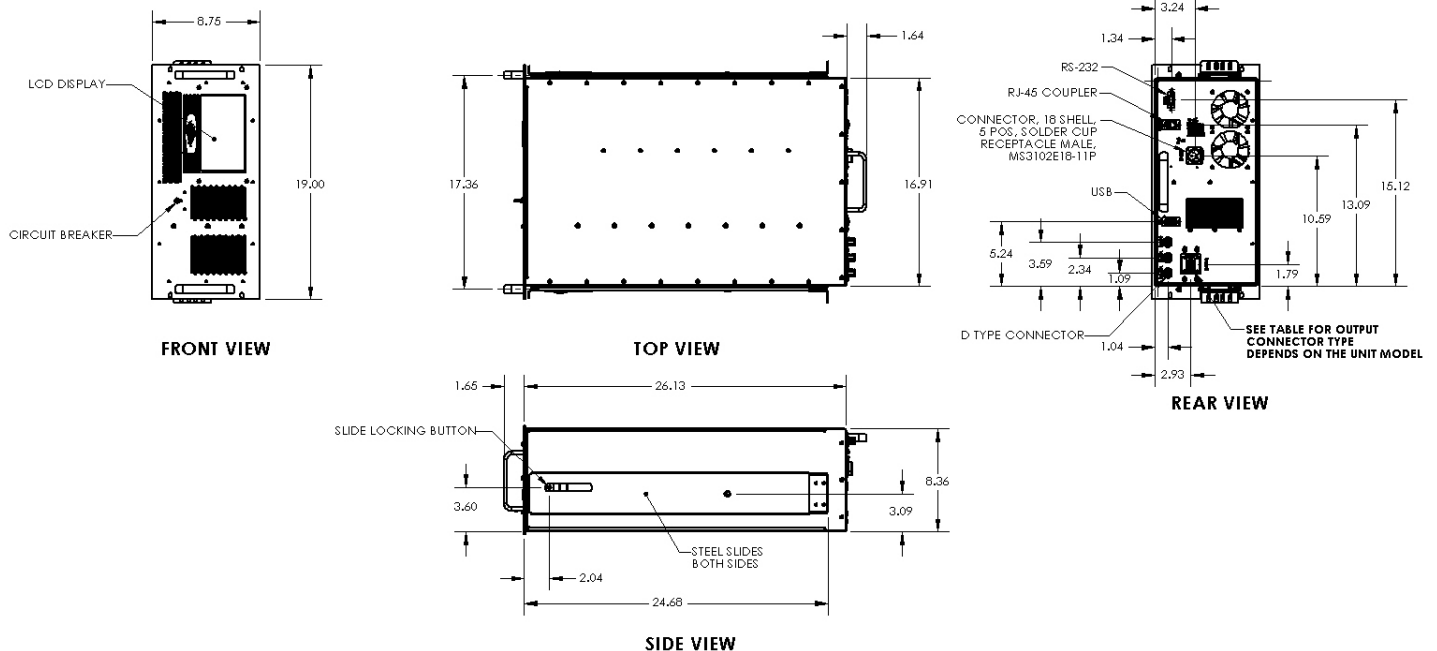
Parameter	Specification
Electrical	
Frequency Range	2.5-7.5GHz
Output Power	200W CW min. 250W Typical
Internal Pre-Amp.	Input level: 0dBm or less
Gain @ rated power	55dB
Input / Output Impedance	50 ohms(VSWR 2.0:1)
RF Input / Output Connectors	RF Input Type N Female / RF Output Type 7/16 (DIN)Female
Modulation	AM / FM / Pulse
Noise Figure	≤ 35dB
Spurious	-50dBc
Harmonics (nom.) @Rated Power	2.5-5.0GHz: 0 to-8dBc 5.0-7.5GHz:-8 to-18dBc
Prime Power	220V AC +/-10%, 50/60 Hz, Single or Three Phase
Mechanical	
Configuration	Rack Mount 8.75"Hx19"Wx26.13"D
Cooling System	Air cooled ,self contained
Shock	MIL-STD-810C, method 516.2
Vibration	MIL-STD-810C, method 514.2
Environmental	
Temperature	0° to 45° C
Non-operating Temp	0° to 60°C
Humidity	95% without condensation
Altitude	10,000 feet

THESE SPECIFICATIONS ARE SUBJECT TO CHANGE WITHOUT NOTICE.



OPTIONS

- | | |
|-----|-------------------------------------------------------------------------------------------------------------------------------------------------------|
| 001 | VSWR Protection against any output mismatch; will operate without damage or oscillation against any magnitude and phase of source and load impedance. |
| 002 | Alternate Prime Power (specify at time of order). |
| 003 | RS232 & Ethernet Remote Control. |
| 004 | Forward RF Sample Port Type N Female -50dBc nominal on the Front or Rear Panel. |
| 005 | Reflected RF Sample Port Type N Female -50dBc nominal on the Front or Rear Panel. |
| 006 | RF Input/Output Connectors on the Front Panel (Specify front or rear at time of order). |
| 007 | Internal Systems Diagnostics. |
| 008 | Filament/Beam Elapsed Time Metering in hours. |
| 009 | RF Safety Interlock, type BNC Connector. |
| 010 | Forward/Reflected Power Indication simultaneously on Front Panel display. |



PowerMax Innovation, Inc.
 1243 Reamwood Ave., Sunnyvale,
 CA 94089 USA
 Tel.: (408) 541-0888
 Fax.: (408) 541-1886
 E-Mail: sales@pmaxii.com
 Web: www.pmaxii.com

THESE SPECIFICATIONS ARE SUBJECT TO CHANGE WITHOUT NOTICE.